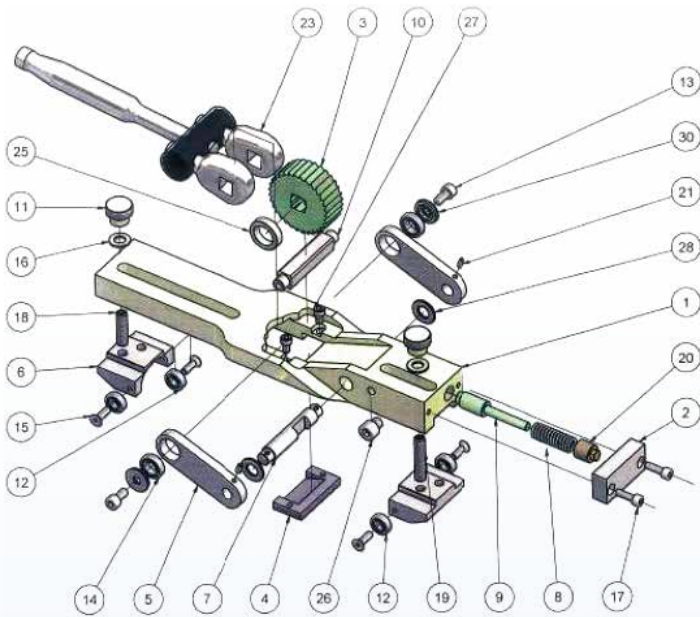


➤ **External Debeading Tool**
to $\geq 900\text{mm}$



Specifications / $\geq 900\text{mm}$

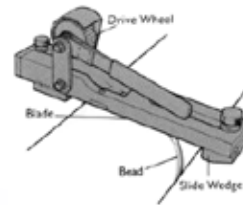
Complete Unit: Code	P9.630.900
Materials	Mild Steel EN1A / Mild Steel EN16T / Mild Steel EN3B / Aluminium / Nylon
Finish	Yellow and Silver zinc plated (Steel)
Dimensions	385mm x 750mm x 85mm
Weight 125mm	3.5 KG
Replacement Blade: Code	P9.634.900



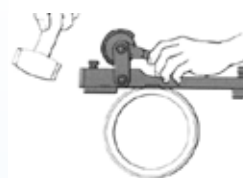
Parts List / 900mm

Item	Product Code	Description	Qty
1	Z01-07-514	900mm Debeader Body	1
2	Z01-07-516	Aluminium Ware Block	1
3	Z01-07-517	Bead Ratchet Wheel	1
4	P9.634.900	Debeader Blade 900mm	1
5	Z01-07-522	Side Link	2
6	01-07-509	Adjustment Block Small	1
7	Z01-07-523	Spring Loaded Spindle 900mm	1
8	Z01-07-518	Spring Debeader	1
9	Z01-07-519	Spring Loaded Actuator Pin	1
10	Z01-07-524	Square Ratchet Shaft 900mm	1
11	Z01-07-520	Thumb Screw	2
12	Z256-A011-014	Bearing 625-2Z	4
13	Z183-T006-153	M6 x 12 Cap Head Socket Screw	2
14	Z256-A011-003	Bearing (Side Link)	2
15	Z183-T006-140	M5 x 12 Csk Socket Screw	4
16	Z183-T006-180	M8 Washer 20 OD	2
17	Z183-T006-131	M5 x 16 Cap Head Socket Screw	2
18	Z183-T006-194	M8 x 30 Socket Set Screw	1
19	Z183-T006-210	M8 x 40 Socket Set Screw	1
20	Z01-07-521	Spindle Plunger Pressure Screw	1
21	Z183-T006-019	M4 x 8 Socket Set Screw	2
23	Z01-07-525	Double Ratchet Assembly	1
25	01-07-511	Ratchet Spacer 900mm	2
26	Z183-T006-208	M8 x 8 Cap Head Socket Screw	1
27	Z183-T006-260	2BA x 12 Cap Head Socket Screw	2
28	Z01-07-528	Spindle Side Link Spacer 900mm	2
30	Z01-07-534	Side Link Bearing Spacer Washer	2

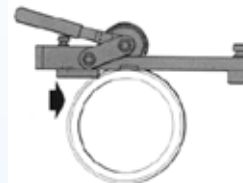
Basic Working Instructions



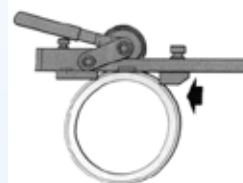
1.
Move both wedges to their outer limits, raise the drive wheel and place the tool on the bead.



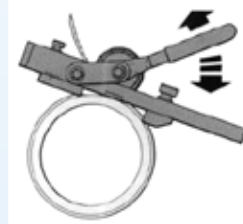
2.
Drive the knife blade into the bead to give approximately 25mm of free bead.



3.
Drop the drive wheel down to grip the bead. Move the rear wedge into position and lock at the mark corresponding to the pipe size.



4.
Move front wedge until it is just touching the pipe.



5.
Apply pressure to the ratchet handle and move the tool around the pipe.

This unit is design and manufactured to meet the requirements of GIS/PL2-5:2006 Part 5:

This product has no calibration period. Periodic, safety inspection should be carried out by the operator. If in doubt, please contact the manufacturer for further information.

HONG KONG

info@mill-pro.com.hk

phone+852 254 36200

office: Room 503, Tai Tung Building, 8 Fleming Road, Wanchai

NEW ZEALAND

info@mill-pro.co.nz

phone+64 6 836 7919

post: PO Box 7014 Taradale, Napier 4141